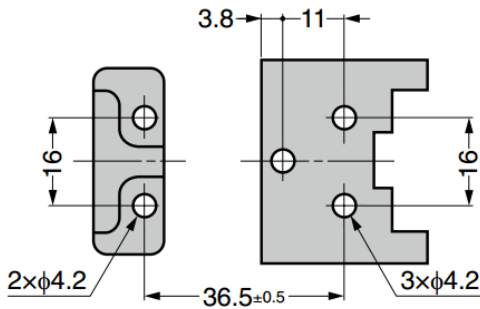
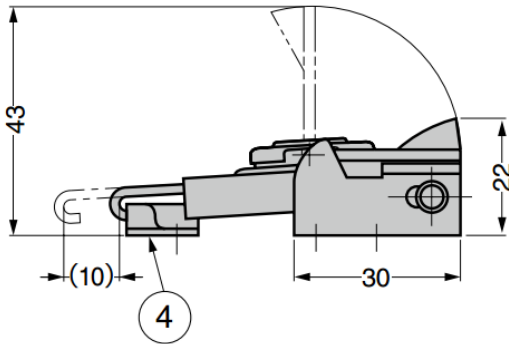
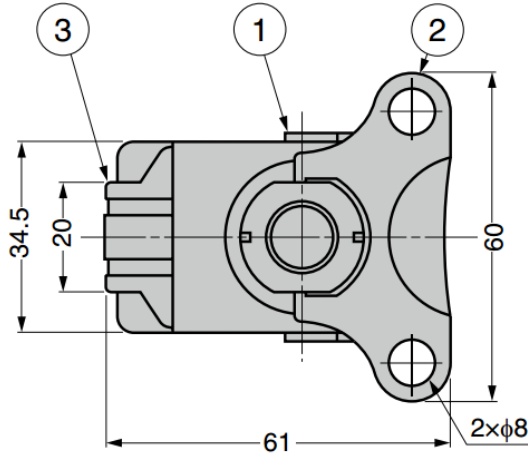


GP102H Draw Latch

Features

- Lift handle and turn 180° to open or close latch
- Available in stainless steel and steel



No.	Part Name	Material
①	Body	GP102HSCR: Steel, chrome finish GP102HSUS: Stainless steel
②	Lever	
③	Hook	Stainless steel 430
④	Counter Plate	Steel, chrome finish
⑤	Key	Steel, nickel finish

Part No.
GP102HSCR
GP102HSUS